

Hannochs®

2017

PRODUCT CATALOGUE



Hannochs[®]
www.hannochs.com

Contents



LED BULB PREMIER	01
LED BULB TRICOLOUR	02
LED BULB CLICK & DIM	03
LED BULB CLASSIC	04
LED BULB GENIUS	05
LED DECORATIVE UFO	06
LED DECORATIVE ORBIT	07
LED T8 LEGACY, HERITAGE, INTEGRATED	08
LED DECORATIVE - DIRECT LIGHTING LED 1W	09
LED DECORATIVE - DIRECT LIGHTING SMD LED	10
LED DECORATIVE GFR / GFS TRICOLOUR	11
LED DECORATIVE SIMPLY	12
LED DECORATIVE AURORA	13
LED DECORATIVE - INDIRECT LIGHTING SMD LED	14
LED SPOTLIGHT	15
LED T8 FIXTURE & ENERGY SAVING LAMP	17
ENERGY SAVING LAMP GREEN	18
ENERGY SAVING LAMP BLUE	19
FLUORESCENT LUMINARES	20
DOWNLIGHT LED	21
DOWNLIGHT STANDARD & SQUARE	22
DOWNLIGHT SUPER & DLQ SUPER	23
DOWNLIGHT DLQ	24
MCB & BATTERY	25
LED FLOODLIGHT	26
LED STREET LIGHT	27
STREET LIGHTING	28
OUTDOOR & INDOOR LIGHTING	29
PROFESSIONAL LAMPS & GEARS	30



PREMIER

WATT	LUMEN (CW / WW)*	HEIGHT (mm)	DIAMETER LAMP HEAD (mm)
3W	281 / 270	91	50
5W	480 / 450	112	60
7W	680 / 650	111	60
9W	920 / 820	111	60
12W	1165 / 1050	123	65
16W	1600 / 1550	155	80

SPECIFICATIONS	
Lifetime	15'000 Hours
Cap/Fitting	E27
Lamp Voltage	100-240V / 50-60Hz
CRI**	>80
Beam Angle	240°
Power Factor	>0.5
Product Material	AL + PC + PBT

- Save Energy up to 90%
- Can operate within 100-240V
- Frosted Cover, impact resistant
- Save maintenance costs
- Instant ON, maximum brightness
- Made of PBT (Polybutylene terephthalate) HEAT RESISTANT up to 150°C

*CW = Cool White = 6500K WW = Warm White = 3000K
 **Color Rendering Index



WATT	LUMEN (CW / WW / CF)	HEIGHT (mm)	DIAMETER LAMP HEAD (mm)
10W	1100 / 1000 / 1100	118	65
14W	1452 / 1323 / 1417	125	70

SPECIFICATIONS	
Lifetime	15'000 hours
Cap/Fitting	E27
Lamp Voltage	100-240V / 50-60Hz
CRI*	>80
Beam Angle	120°
Power Factor	>0.5
Product Material	AL + PC + PBT



Lamp colour change by Single Click :

1st Click = Cool White for: Focus, studying, working, drawing.

2nd Click = Warm White for: Relax, dinner, party.

3rd Click = Comfort for: Watch TV, playing, cooking.

"Create Our Atmosphere as Demand"

- Initial color will be reset to Cool White if off-state > 6 seconds.
- Can operate within 100 - 240V
- Very good color rendering >80
- Long life lamp until 15.000 hours
- No IR & UV radiation
- Low heat radiation



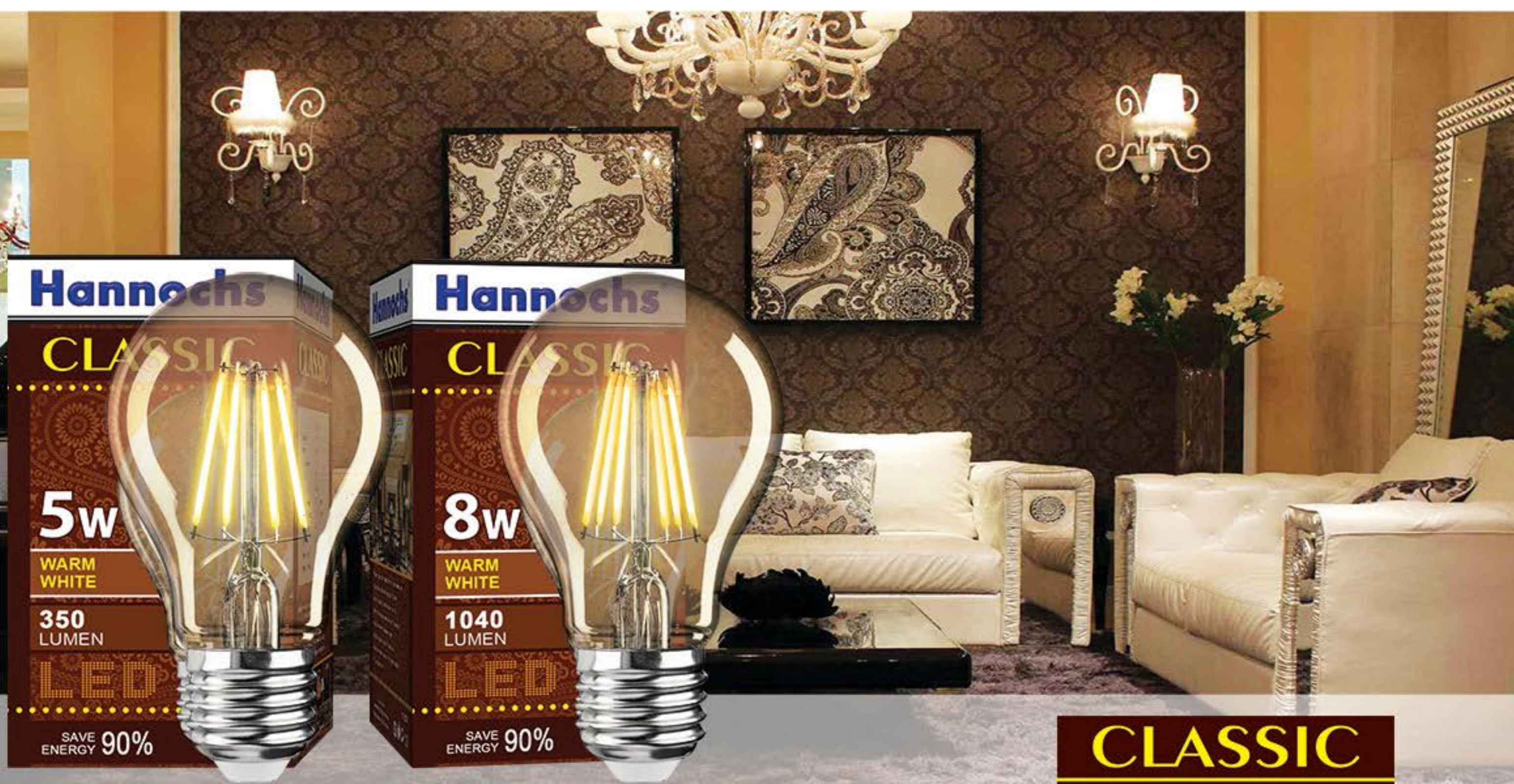
WATT	LUMEN			HEIGHT (mm)	DIAMETER LAMP HEAD (mm)
11W	11W (1180)	5W (517)	1.5W (195)	123	65



SPECIFICATIONS	
Lifetime	15'000 Hours
Cap/Fitting	E27
Lamp Voltage	100-240V / 50-60Hz
CRI*	>80
Beam Angle	240°
Power Factor	>0.5
Product Material	AL+PC+PBT

- Innovative LED Bulb, 1 bulb with 3 brightness levels. Efficient and power saving.
- Only 1 click to switch from 100% brightness to 40% and 15%. Adjust as needed
- Can operate within 100 - 240V
- Very good color rendering >80
- Long life lamp until 15'000 hours
- No IR & UV radiation
- Low heat radiation

*Color Rendering Index



WATT	LUMEN (WW)	HEIGHT (mm)	DIAMETER LAMP HEAD (mm)
5W	350	112	60
8W	1040	112	60

SPECIFICATIONS

Lifetime	15'000 hours
Cap / Fitting	E27
Lamp Voltage	220-240V / 50-60Hz
CRI*	>80
Beam Angle	360°
Power Factor	>0.5
Product Material	AL + GLASS

- LED lights with classic heritage Incandescent lamps for your room decor
- Combines classic shape of Incandescent lamp with LED technology that is energy efficient and durable
- Can operate within 170 - 240V
- Very good color rendering > 80
- Long life lamp until 15'000 hours
- No IR & UV radiation
- Guaranteed





WATT	LUMEN	BATTERY CAPACITY	LIGHTING HOURS	HEIGHT (mm)	DIAMETER (mm)
6W	580	2000 mAh	5 hours	123	60
8W	650	2000 mAh	5 hours	123	60
10W	920	2200 mAh	3 hours	143	70
12W	1150	2500 mAh	2.5 hours	154	80
15W	1270	2 x 2200 mAh	4 hours	176	90

SPECIFICATIONS	
Lifetime	15'000 hours
Function	2 AC/DC LED Function
Cap / Fitting	E27
Lamp Voltage	100-240V / 50-60Hz
Battery Type	Lithium
CRI*	>80
Beam Angle	180°
Power Factor	>0.9
Product Material	PBT + PC

- New Innovation Two Function AC/DC LED Bulb. Could be used as Ordinary Lighting and Emergency Lighting (remain bright when the electricity off)
- Completed with Rechargeable Lithium Battery, with OVERCHARGE and OVERDISCHARGE Protection features.
- Can operate within 100 - 240V
- Very good color rendering >80
- Long life lamp until 15.000 hours
- No IR & UV radiation
- Low heat radiation

*Color Rendering Index



WATT	LUMEN (CW / WW)	HEIGHT (mm)	DIAMETER (mm)	DIAMETER (inch)
15W	1200 / 1100	96	120	4.7
20W	1587 / 1350	104	155	6.1
30W	2114 / 2050	115	190	7.5

SPECIFICATIONS	
Lifetime	15.000 Hours
Cap / Fitting	E27
Lamp Voltage	100-240V / 50-60Hz
CRI*	>80
Beam Angle	180°
Power Factor	>0.9
Product Material	AL(fe) + PC

- LED Decorative with an elegant shape to embellish your room decor
- Save electricity cost up to 90%
- Can operate within 100-240V
- Long life lamp until 15'000 hours
- Housing of aluminum material
- Frosted Cover (resistant to impact)
- Maximum lighting when turned on
- Suitable for use in homes, shops, boutiques, restaurants, hotels, offices, malls, etc.





WATT	LUMEN (CW / WW)	HEIGHT (mm)	DIAMETER (mm)	DIAMETER (inch)
20W	1645 / 1550	120	210	8"
30W	2240 / 2140	136	280	11"
40W	3200 / 2850	120	283	11"
60W	4800 / 4300	150	334	13"
80W	6400 / 5700	170	398	15"

SPECIFICATIONS	
Lifetime	15'000 Hours
Cap / Fitting	E27
Lamp Voltage	100-240V / 50-60Hz
CRI*	>80
Beam Angle	120°
Power Factor	>0.9
Product Material	AL + PC

- LED Decorative with an elegant shape to embellish your room decor
- Save electricity cost up to 90%
- Can operate within 100-240V
- Long life lamp until 15'000 hours
- Housing of aluminum material
- Frosted Cover (resistant to impact)
- IP 52
- LED Decorative Waterproof for indoor and outdoor use
- Suitable for use at home, shop, market, cafe, boutique, supermarket, warehouse, factory, workshop, sport centre, hall, parking lot.



T8 LED
TUBE LIGHT

T8 LEGACY

T8 INTEGRATED

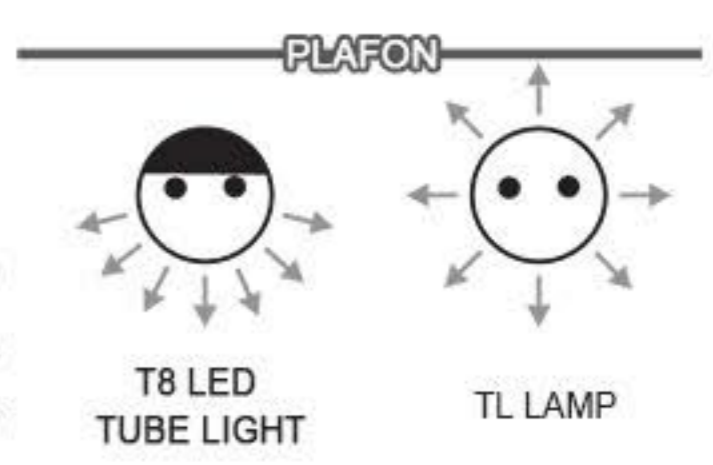
T8 HERITAGE

TYPE	WATT	LUMEN	DIAMETER	LENGTH
T8 LEGACY 10W	10W	900	Φ28 mm	600 mm
T8 LEGACY 20W	20W	1800	Φ28 mm	1200 mm
T8 HERITAGE 18W	18W	1500	Φ25.5 mm	1200 mm
T8 INTEGRATED 10W	10W	900	35 x 35 mm	600 mm
T8 INTEGRATED 20W	20W	1800	35 x 35 mm	1200 mm

SPECIFICATIONS	
Lifetime	15'000 Hours
Lamp Voltage	90-260V / 50-60Hz
Fitting	G13
CRI*	>80
Power Factor	0.9
Beam Angle	120° (T8 LEGACY & T8 INTEGRATED) 300° (T8 HERITAGE)
Product Material	AL + PC + PBT (T8 LEGACY & T8 INTEGRATED) GLASS (T8 HERITAGE)

- Save energy 50% compared to regular TL lamps
- Cost savings of maintenance
- Instantly (instant ON) and without blinking
- Environmentally friendly, mercury-free and other harmful substances
- Without using starter & ballast
- No IR & UV radiation
- Resistant to impact, shock, and vibration (T8 LEGACY & T8 INTEGRATED)

Light distribution is more efficient, because it has an angle of irradiation 120 ° (T8 Legacy & T8 Integrated) and 300° (T8 Heritage) more efficient in distributing light and assisted by a lamp cover serves as a lens for spreading light

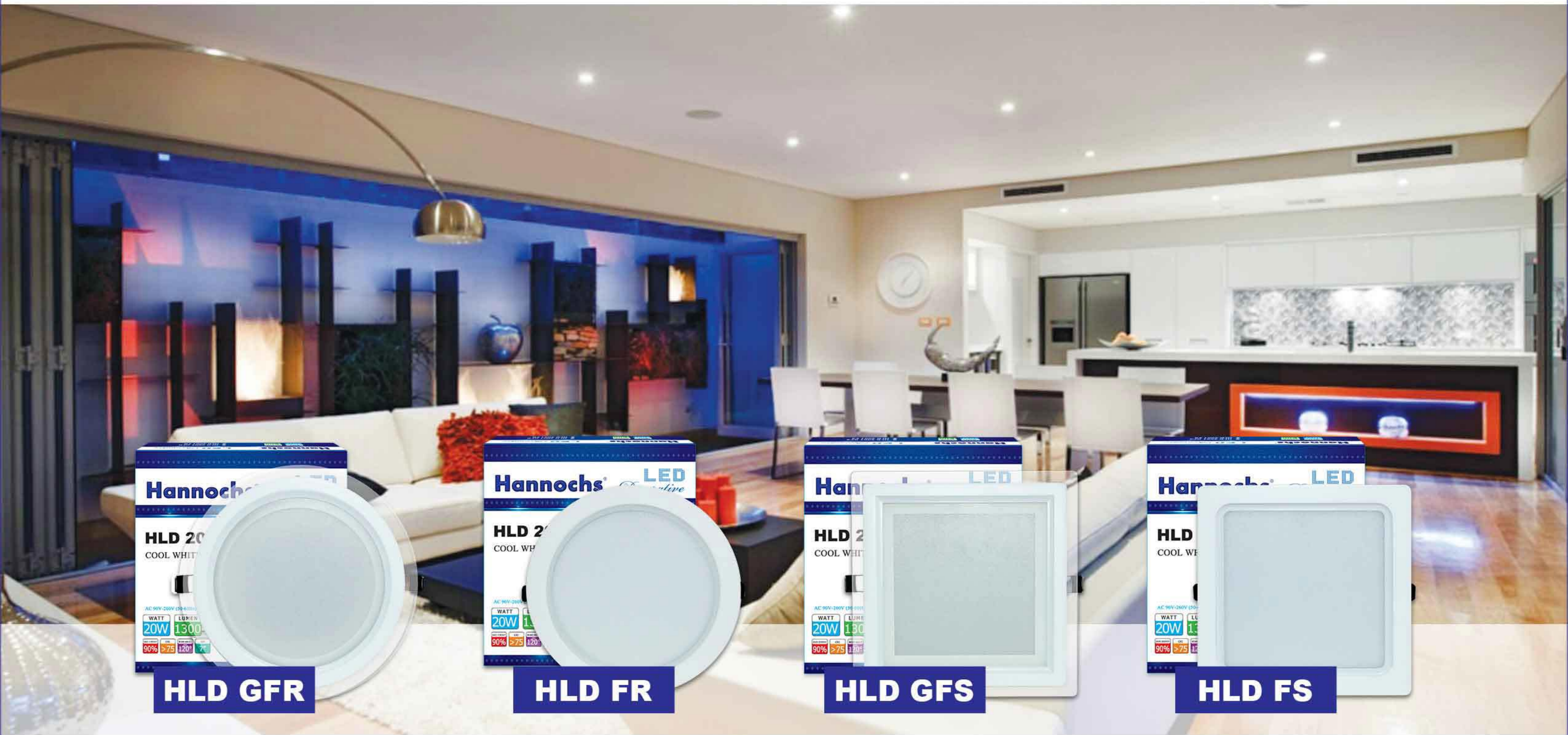




TYPE	WATT	LUMEN	PRODUCT DIMENSION	CUTTING HOLE	EQUAL TO DOWNLIGHT
HLD 3 FRA	3W	240	Φ 85 x 41 mm	Φ 74 mm	2.5"
HLD 5 FRA	5W	400	Φ109 x 41 mm	Φ 95 mm	3.5"
HLD 7 FRA	7W	560	Φ108 x 45 mm	Φ 90 mm	3.5"
HLG 4 HR	4W	240	100 x 100 x 32 mm	85 x 85 mm	3.5"
HLG 9 HR	9W	540	150 x 150 x 32 mm	130 x 130 mm	4"
HLG 16 HR	16W	960	180 x 180 x 32 mm	160 x 160 mm	5"
HLG 25 HR	25W	1.850	216 x 216 x 32 mm	195 x 195 mm	7.5"
HLG 9	9W	810	138 x 138 x 30 mm	125 x 125 mm	4"
HLG 16	16W	1.440	170 x 170 x 30 mm	155 x 155 mm	5"
HLG 25	25W	2.250	220 x 220 x 40 mm	205 x 205 mm	8"

- Save electricity cost up to 90%
- Can operate within 100-240V
- Available Light: CW & WW

- Shape: HLD FRA = Round, HLG HR = Half Round, HLG = Square
- Cover type: HLG HR, HLG = CLEAR ; HLD FRA = FROSTED
- Ring color: HLD FRA = Silver, HLG HR & HLG = White



TYPE	WATT	LUMEN	PRODUCT DIMENSION	CUTTING HOLE	EQUAL TO DOWNLIGHT
HLD 501 GFR	5W	325	Φ 100 x 40 mm	Φ 75 mm	2.5"
HLD 1201 GFR	12W	780	Φ 160 x 40 mm	Φ 125 mm	4"
HLD 2001 GFR	20W	1300	Φ 200 x 40 mm	Φ 170 mm	6"
HLD 501 FR	5W	325	Φ 105 x 40 mm	Φ 95 mm	3.5"
HLD 1201 FR	12W	780	Φ 150 x 40 mm	Φ 135 mm	5"
HLD 2001 FR	20W	1300	Φ 200 x 40 mm	Φ 185 mm	7"
HLD 501 GFS	5W	325	95 x 95 x 40 mm	75 x 75 mm	2.5"
HLD 1201 GFS	12W	780	160 x 160 x 40 mm	125 x 125 mm	4"
HLD 2001 GFS	20W	1300	200 x 200 x 40 mm	160 x 160 mm	5"
HLD 501 FS	5W	325	105 x 105 x 40 mm	95 x 95 mm	3.5"
HLD 1201 FS	12W	780	150 x 150 x 40 mm	135 x 135 mm	5"
HLD 2001 FS	20W	1300	200 x 200 x 40 mm	185 x 185 mm	7"

- Save energy up to 90%
- Can operate within 100-240V
- Available in: CW & WW*
- Shape: GFR & FR = Round, GFS & FS = Square
- Cover Type: GFR & GFS = Glass Frosted, FR & FS = Frosted
- Ring Color: White

*CW = Cool White = 6000K WW = Warm White = 3000K



TYPE	WATT	LUMEN (CW / WW/CF)	PRODUCT DIMENSION	CUTTING HOLE	EQUAL TO DOWNLIGHT
HLD 502 GFR TRICOLOUR	5W	400 / 380 / 420	Φ 100 x 40 mm	Φ 75 mm	2.5"
HLD 1202 GFR TRICOLOUR	12W	1050 / 980 / 1100	Φ 160 x 40 mm	Φ 125 mm	4"
HLD 2002 GFR TRICOLOUR	20W	1750 / 1600 / 1800	Φ 200 x 40 mm	Φ 170 mm	6"
HLD 502 GFS TRICOLOUR	5W	400 / 380 / 420	100 x 100 x 40 mm	75 x 75 mm	2.5"
HLD 1202 GFS TRICOLOUR	12W	1050 / 980 1100	160 x 160 x 40 mm	125 125 mm	4"
HLD 2002 GFS TRICOLOUR	20W	1750 / 1600 / 1800	200 x 200 x 40 mm	160 x 160 mm	5"

SPECIFICATIONS

Lifetime	15'000 Hours
Cap / Fitting	E27
Lamp Voltage	100-240V / 50-60Hz
CRI*	>80
Beam Angle	120°
Power Factor	>0.9
Product Material	AL+PC+GLASS
Cover Type	Glass Frosted
Color Temp. (CW-WW-CF)	6500K-3000K-4000K

Lamp colour change by Single Click :

1st Click = Cool White for: Focus, studying, working, drawing.

2nd Click = Warm White for: Relax, dinner, party.

3rd Click = Comfort for: Watch TV, playing, cooking.

"Create Our Atmosphere as Demand"

- Can operate within 100-240V
- Long life lamp until 15'000 hours
- Very good color rendering >80
- No IR & UV radiation
- Low heat radiation
- Shape: GFR = Round ; GFS = Square



TYPE	WATT	LUMEN	PRODUCT DIMENSION	CUTTING HOLE	EQUAL TO DOWNLIGHT
SIMPLY 5W FR	5W	400	Φ 92 X 55 mm	Φ 80 mm	2.5"
SIMPLY 12W FR	12W	988	Φ 136 X 64 mm	Φ 115 mm	4"
SIMPLY 15W FR	15W	1296	Φ 188 X 80 mm	Φ 165 mm	6"
SIMPLY 20W FR	20W	1732	Φ 238 X 89 mm	Φ 210 mm	8"

SPECIFICATIONS	
Lifetime	15.000 Hours
Lamp Voltage	100-240V / 50-60Hz
CRI*	>80
Beam Angle	140°
Power Factor	>0.5
Product Material	PBT
Cover Type	Frosted
Color Temp.	6500K

- Lightweight and elegant lamp models
- Easy installation, can directly replace E27 lamp downlight because cutting hole size (same hole ceiling)
- Easy to install with integrated driver (ballast)
- Can operate within 100-240V
- Very good color rendering > 80
- Long life lamp until 15'000 hours
- Shape: FR = Round
- Ring Color: White
- Suitable for use home, shops, boutiques, malls, restaurants, etc.





TYPE	WATT	LUMEN (CW / WW)	PRODUCT DIMENSION	CUTTING HOLE	EQUAL TO DOWNLIGHT
AURORA 3W-3 FR	3W + 3W	200 / 180	Φ 105 mm	Φ 65 mm	2.5"
AURORA 6W-3 FR	6W + 3W	400 / 360	Φ 144 mm	Φ 102 mm	3.5"
AURORA 12W-5 FR	12W + 5W	840 / 750	Φ 194 mm	Φ 152 mm	5"
AURORA 20W-8 FR	20W + 8W	1260 / 100	Φ 242 mm	Φ 200 mm	8"
AURORA 3W-3 FS	3W + 3W	200 / 180	105 x 105 mm	65 x 65 mm	2.5"
AURORA 6W-3 FS	6W + 3W	400 / 360	144 x 144 mm	102 x 102 mm	3.5"
AURORA 12W-5 FS	12W + 5W	840 / 750	194 x 194 mm	152 x 152 mm	5"
AURORA 20W-8 FS	20W + 8W	1260 / 100	242 x 242 mm	200 x 200 mm	8"

SPECIFICATIONS	
Lifetime	15.000 Hours
Lamp Voltage	100-240V / 50-60Hz
CRI*	>80
Beam Angle	120°
Power Factor	0.5
Product Material	AL + STEEL
Cover Type	Frosted
Color Temp. (CW-WW)	6500K-3000K

Lamp colour change by Single Click :

1st Click - Outer Ring is on

2nd Click - Inner Ring is on

3rd Click - Outer & Inner Ring is on

"Create Our Atmosphere as Demand"

- No IR & UV radiation
- Low heat radiation
- Shape: FR = Round ; FS = Square
- Ring Color: White
- Choice of available light colors (Inner Ring / Outer Ring):





TYPE	WATT	LUMEN (CW / WW)*	PRODUCT DIMENSION
HLC 601 FR	6W	480 / 420	Φ 120 x 38 mm
HLC 1201 FR	12W	960 / 840	Φ 170 x 38 mm
HLC 1801 FR	18W	1440 / 1260	Φ 219 x 38 mm
HLC 2501 FR	25W	2000 / 1750	Φ 300 x 38 mm
HLC 601 FS	6W	480 / 420	120 x 120 x 38 mm
HLC 1201 FS	12W	960 / 840	170 x 170 x 38 mm
HLC 1801 FS	18W	1440 / 1260	219 x 219 x 38 mm
HLC 2501 FS	25W	2000 / 1750	300 x 300 x 38 mm

- Save energy up to 90%
- Can operate within 100-240V
- Available light color: CW & WW

- Shape: FR = Round, FS = Square
- Cover Type: Frosted
- Ring Color: White

*CW = Cool White = 6000K WW = Warm White = 3000K



WATT	LUMEN	HEIGHT (mm)	DIAMETER (mm)	HALOGEN SPOTLIGHT REPLACEMENT
3W	230	57	50	20W
5W	400	57	50	50W

SPECIFICATIONS	
Lifetime	15'000 Hours
Lamp Voltage	100-240V / 50-60Hz
Cap/Fitting	GU10
CRI*	>80
Beam Angle	45°
Power Factor	>0.5
Product Material	AL + PBT + PC

- Save energy up to 90%
- Can operate within 100-240V
- Using maintenance-free GU10 fitting and safe to use on 100-240V
- Very good color rendering > 80
- Long life lamp until 15'000 hours
- Compatible with 2.5" downlight
- Suitable for home, shop, boutique, restaurant, hotel, office, etc



*Color Rendering Index

HLP



TYPE	WATT	COLOR*	FITTING	DIMENSION	HALOGEN SPOTLIGHT REPLACEMENT
HLP 3E1	3W	CW	E27	Φ50mm x 55mm	20W
HLP 5E1	5W	CW	E27	Φ50mm x 74mm	50W
HLP 7E1	7W	WW	E27	Φ90mm x 75mm	75W
HLP 3G1	3W	CW	GU10	Φ50mm x 52mm	20W
HLP 5G1	5W	CW	GU10	Φ50mm x 73mm	50W

SPECIFICATIONS

Lifetime	15'000 Hours
Voltage	90-260V / 50-60Hz
CRI**	>80
Power Factor	>0.5
Product Material	AL + PBT + PC

- Save energy up to 90%
- Can operate within 90-260V
- Very good color rendering > 80
- Long life lamp until 15'000 hours
- Compatible with 2.5" downlight, except HLP 7E1
- Suitable for home, shop, boutique, restaurant, hotel, office, mall, etc



*Color Rendering Index

**CW = Cool White WW = Warm White

KAP T8



TYPE	WATT	FITTING	LENGTH	WIDTH x HEIGHT
Kap T8 LEGACY 10W	10W	G13	620mm	32.5 x 51mm
Kap T8 HERITAGE 10W	10W	G13	610mm	34 x 48.5mm
Kap T8 HERITAGE 20W	20W	G13	1220mm	34 x 48.5mm

ENERGY SAVING LAMP FULL SPIRAL



TYPE	WATT	LUMEN	COLOR	HEIGHT	DIAMETER LAMP HEAD
SPIRAL	12W	804	●	113mm	48mm
	16W	1120	●	120mm	48mm



TYPE	WATT	LUMEN	COLOR	HEIGHT	DIAMETER LAMP HEAD	LOW VOLTAGE AVAILABLE
2U	5W MINI (E14)	275	●	107 mm	37 mm	-
	8W MINI (E14)	440	●	131 mm	40 mm	-
	5W	275	○	111 mm	42 mm	LV 110-230v LOW VOLTAGE VOLTAGE RENDAH
	8W	440	○	130 mm	42 mm	LV 110-230v LOW VOLTAGE VOLTAGE RENDAH
	11W	605	○	152 mm	42 mm	LV 110-230v LOW VOLTAGE VOLTAGE RENDAH
	14W	770	○ ●	159 mm	42 mm	LV 110-230v LOW VOLTAGE VOLTAGE RENDAH
3U	18W	1080	○ ●	163 mm	50 mm	LV 110-230v LOW VOLTAGE VOLTAGE RENDAH
	23W	1380	○	170 mm	50 mm	LV 110-230v LOW VOLTAGE VOLTAGE RENDAH
	26W	1560	○	177 mm	50 mm	LV 110-230v LOW VOLTAGE VOLTAGE RENDAH
4U	35W	2100	○	183 mm	62 mm	LV 110-230v LOW VOLTAGE VOLTAGE RENDAH
	45W	2700	○ ●	231 mm	75 mm	LV 110-230v LOW VOLTAGE VOLTAGE RENDAH
	62W	3720	○	261 mm	75 mm	LV 110-230v LOW VOLTAGE VOLTAGE RENDAH
	65W	3900	○	288 mm	80 mm	LV 110-230v LOW VOLTAGE VOLTAGE RENDAH
	85W	5100	○	329 mm	80 mm	LV 110-230v LOW VOLTAGE VOLTAGE RENDAH
	85W (E40)	5100	○	344 mm	80 mm	-
SPIRAL	Spiral 8W	440	○ ●	113 mm	44 mm	LV 110-230v LOW VOLTAGE VOLTAGE RENDAH
	Spiral 12W	720	○	119 mm	44 mm	LV 110-230v LOW VOLTAGE VOLTAGE RENDAH
	Spiral 16W	960	○	122 mm	48 mm	LV 110-230v LOW VOLTAGE VOLTAGE RENDAH
	Spiral 20W	1200	○	133 mm	48 mm	LV 110-230v LOW VOLTAGE VOLTAGE RENDAH
	Spiral 24W	1440	○	138 mm	48 mm	LV 110-230v LOW VOLTAGE VOLTAGE RENDAH
	Spiral 26W	1560	○	177 mm	58 mm	-
	Spiral 35W	2100	○	164 mm	64 mm	LV 110-230v LOW VOLTAGE VOLTAGE RENDAH
	Spiral 45W	2700	○ ●	210 mm	71 mm	LV 110-230v LOW VOLTAGE VOLTAGE RENDAH
	Spiral 62W	3720	○	240 mm	71 mm	LV 110-230v LOW VOLTAGE VOLTAGE RENDAH
	Spiral 68W	4080	○	257 mm	80 mm	-
	Spiral 88W	5280	○	288 mm	80 mm	-
	Spiral 88W (E40)	5280	○	300 mm	80 mm	-



- Long life lamp until 8'000 Hours
- Available light colors: Cool Daylight (White), Warm White (Yellow)
- Can operate within 170-250V and 110-230V (Low Voltage)
- For LV 110-230V only available light colors Cool Daylight (White)



TYPE	WATT	LUMEN	COLOR	HEIGHT	DIAMETER LAMP HEAD	LOW VOLTAGE AVAILABLE
2U	5W	275	○	124 mm	45 mm	-
	8W	440	○	135 mm	45 mm	-
	11W	605	○	156 mm	45 mm	-
	14W	770	○	167 mm	45 mm	-
3U	18W	1080	○	169 mm	52 mm	-
	23W	1380	○	178 mm	52 mm	-
	26W	1560	○	188 mm	52 mm	-
4U	45W	2700	○	237 mm	72 mm	-
	65W	3900	○ ●	288 mm	80 mm	-
	85W	5100	○ ●	329 mm	80 mm	-
	85W (E40)	5100	○ ●	344 mm	80 mm	LV <small>LOW VOLTAGE</small> 110-230v <small>VOLTAGE RENDAH</small>
SPIRAL	Spiral 8W	440	○	126 mm	42 mm	-
	Spiral 12W	720	○	129 mm	42 mm	-
	Spiral 22W	1320	○	167 mm	55 mm	-
	Spiral 24W	1440	○	130 mm	53 mm	-
	Spiral 26W	1560	○	172 mm	52 mm	-
	Spiral 42W	2520	○	178 mm	64 mm	-
	Spiral 68W	4080	○	257 mm	80 mm	-



- Long life lamp until 8'000 Hours
- Available light colors: Cool Daylight (White), Warm White (Yellow)
- Can operate within 170-250V and 110-230V (Low Voltage)
- For LV 110-230V only available light colors Cool Daylight (White)



Color Choice:

Voltage : 170V - 240V(50/60Hz)

TYPE	WATT	LUMEN	DIMENSION (cm)	LENGTH (cm)
T4 Ultra Slim	8W	420	34.2 x 2.25 x 3.4	31.9
	12W	660	43.5 x 2.25 x 3.4	41.5
	16W	900	49.2 x 2.25 x 3.4	46.5
	20W	1150	53.3 x 2.25 x 3.4	51.3
	24W	1500	87.1 x 2.25 x 3.4	84.7
	26W	1640	102.3 x 2.25 x 3.4	99.8
	28W	1800	117.3 x 2.25 x 3.4	114.9
T5 Super Slim	8W	420	31.0 x 2.4 x 3.7	28.7
	14W	780	57.4 x 2.4 x 3.7	54.7
	21W	1200	87.4 x 2.4 x 3.7	85.2
	28W	1800	116.9 x 2.4 x 3.7	114.7
	35W	2200	147 x 2.4 x 3.7	146

ACCESSORIES T4 & T5 :





DLL

TYPE	SIZE	RING COLOR	DIMENSION
DLL 4"	4"	WHITE, CHROME	Φ148 x 132 mm
DLL 5"	5"	WHITE, CHROME	Φ180 x 172 mm

- Using Fitting E27
- Special downlight for LED light
- Downlight frame is coated with rust resistant Powder Coating paint
- Elegant & chrome-coated reflector models that are rustproof



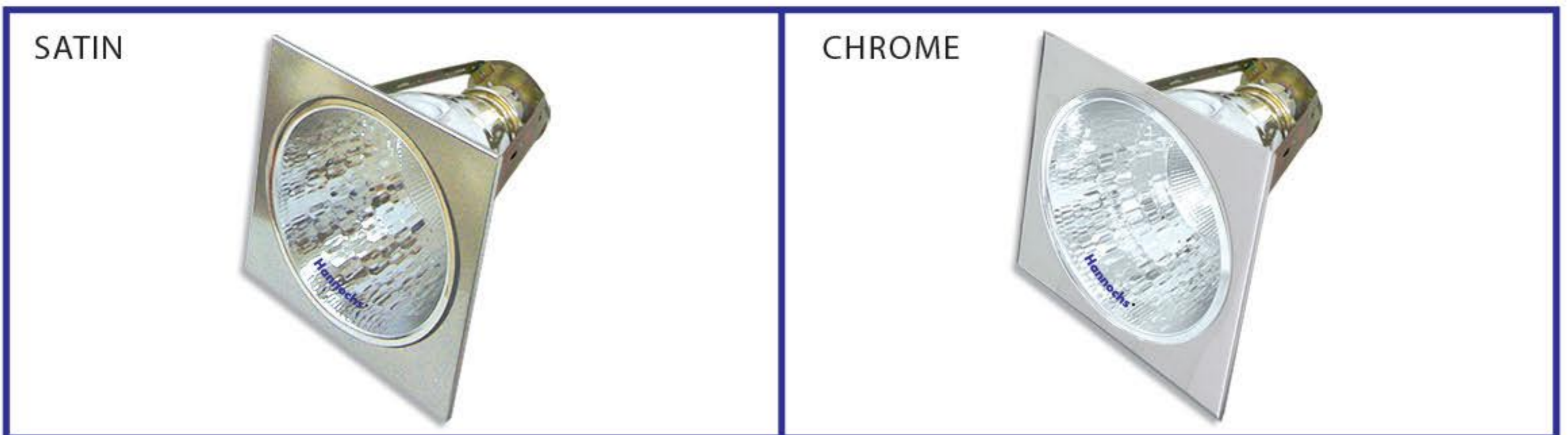


Available in size: 3.5", 4.0", 5.0"

DOWNLIGHT STANDARD

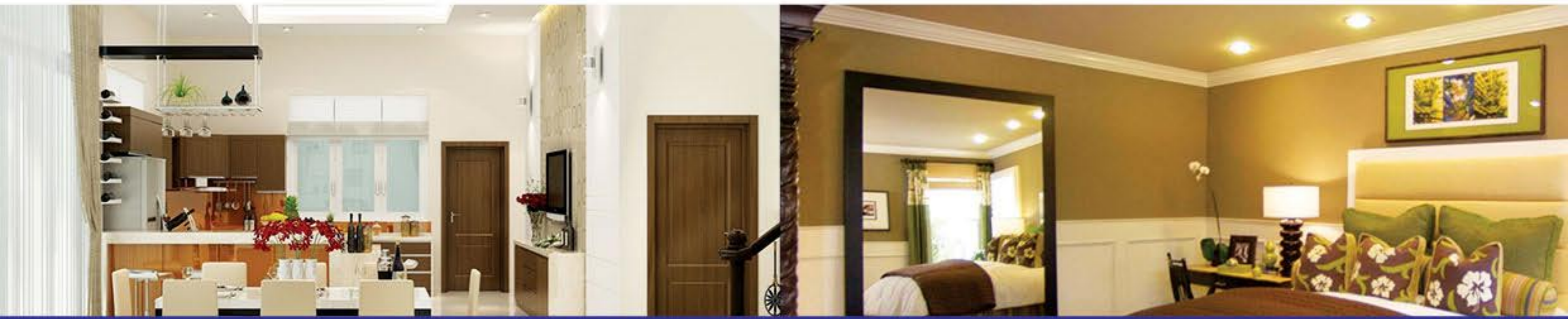


DOWNLIGHT SQUARE



DIMENSION DESCRIPTION :





Available in size : 3,5"; 4,0"; 5,0"

S30
available color :
SILVER / CHROME, GOLD / CHROME

Available in size : 3,5"; 4,0"; 5,0"

S31
available color :
SILVER / CHROME, GOLD / CHROME

Available in size : 3,5"; 4,0"

S32
available color :
SILVER

Available in size : 3,5"; 4,0"

S33
available color :
GOLD

Available in size : 3,5"; 4,0"

S34
available color :
GOLD / SILVER

Available in size : 3,5"; 4,0"

S35
available color :
BLACK / SILVER

Available in size : 3,5"; 4,0"

S36
available color :
SILVER

DLQ SUPER

Available in size : 3,5"; 4,0"

S19
available color :
WHITE

DIMENSION DESCRIPTION :

Size	Height (cm)
3,5"	15,9
3,5"	12,8
4,0"	17,7
4,0"	15,2

DIMENSION DESCRIPTION :





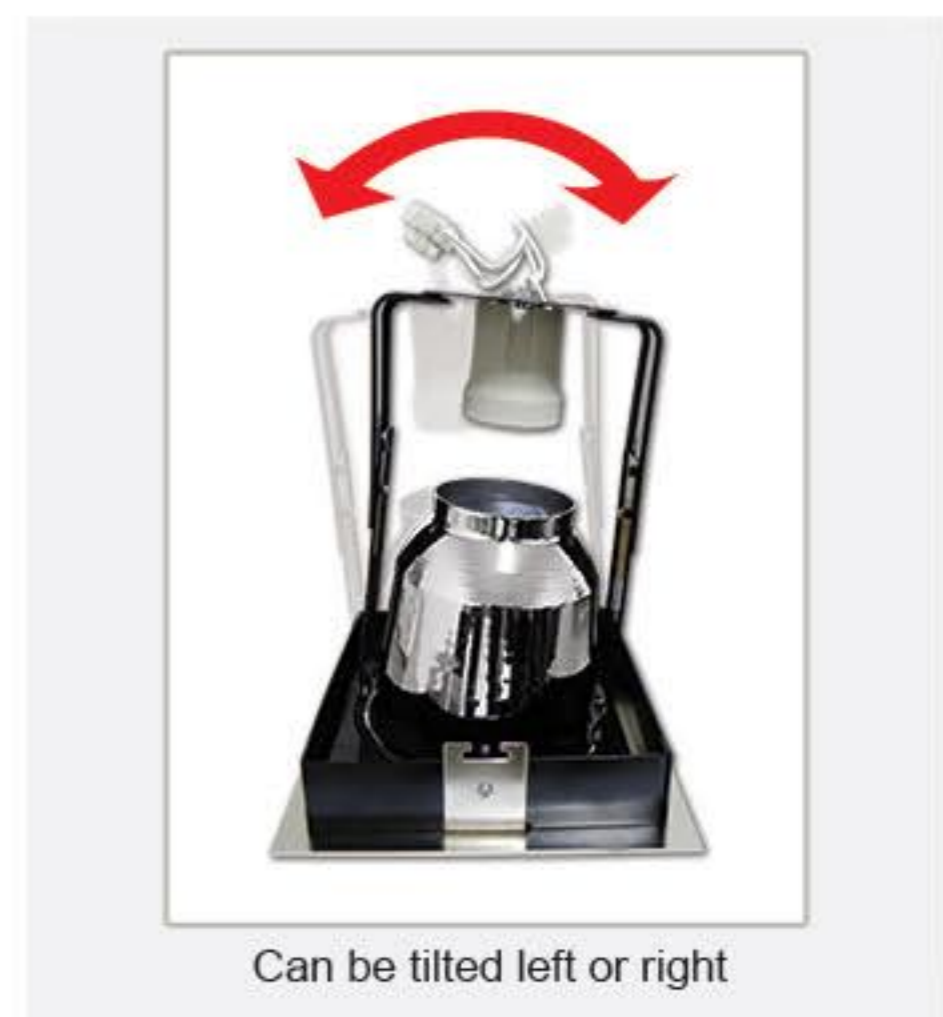
DLQ D801



- Durable
- Easy to install
- Adjustable angle of lighting (can be tilted and elevated)
- Available in size : 3.5", 4.0", 5.0"

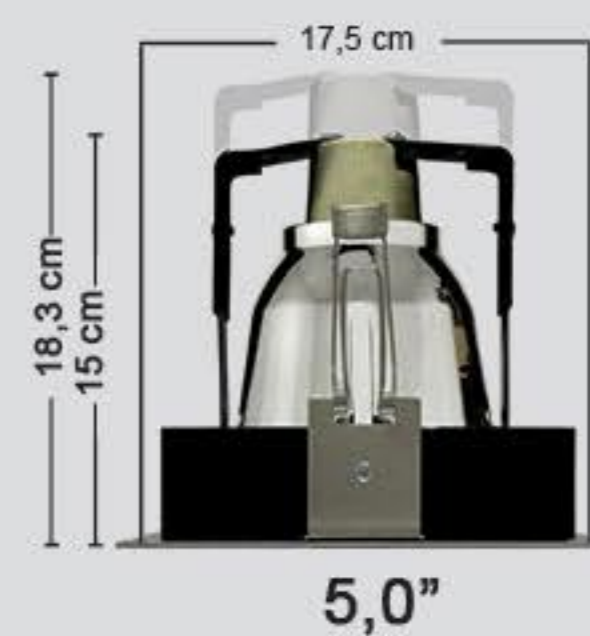
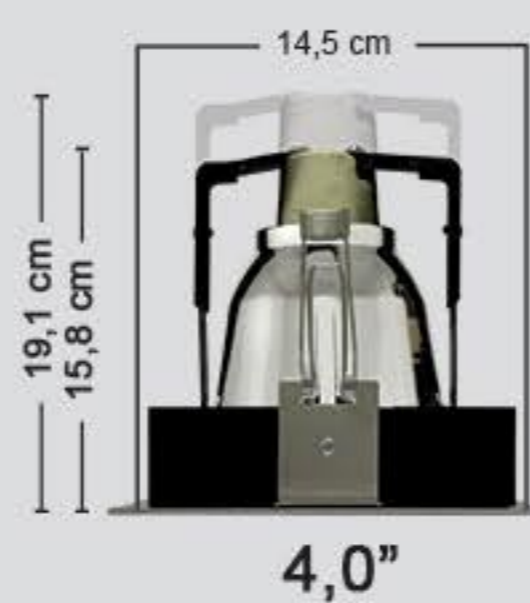
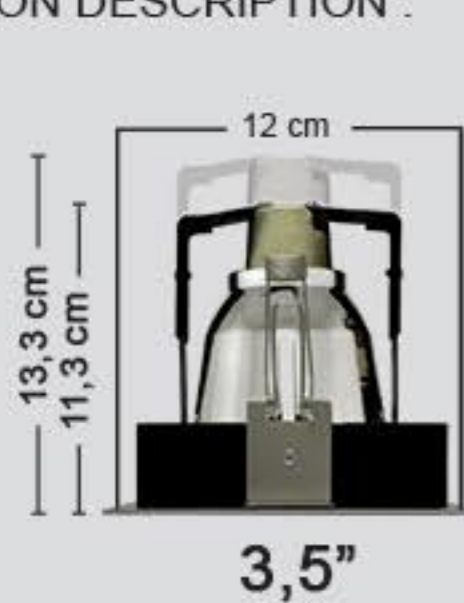


Altitude settings can be customized as needed



Can be tilted left or right

DIMENSION DESCRIPTION :



MINIATURE CIRCUIT BREAKER



TYPE	CURRENT RATING	BREAKING CAPACITY	VOLTAGE RATING
MCBH-1P	6A, 10A, 16A, 20A, 25A, 32A	4.5kA	230/400V~
MCBH-3P	10A, 16A, 20A, 25A, 32A	4.5kA	400V~

- Limit the use of more load currents
- Has a good electrical conductor
- Decided the electric current quickly when there electric short circuit
- Ensures durability of MCB when electric short circuit
- Resistant to heat when electrified
- Protected electrical installation from damage due to load current more (overload) and electric short circuit (Short Circuit)

BATTERY



SPECIFICATIONS	
Voltage	1.5V
Product Material	Aluminium

- More powerful and durable
- No mercury, cadmium, and timbal
- Leakproof and resistant rust
- Suitable for high-tech devices
- Provides maximum protection on your electronic device



04-2051.2-2004



TYPE	WATT	LUMEN	PRODUCT DIMENSION (mm)
HFL 10W	10W	700	114.4 x 87 x 42.1 mm
HFL 20W	20W	1500	179 x 152.5 x 52 mm
HFL 30W	30W	2100	220 x 178 x 63.7 mm
HFL 50W	50W	4000	280 x 226 x 76.9 mm
HFL 80W	80W	6000	288 x 383 x 98.9 mm
HFL 100W	100W	7500	288 x 383 x 98.9 mm

SPECIFICATIONS	
Lifetime	15'000 Hours
IP	IP65
Lamp Voltage	100-240V / 50-60Hz
CRI*	>70
Beam Angle	120°
Power Factor	>0.9
Product Material	AL + GLASS

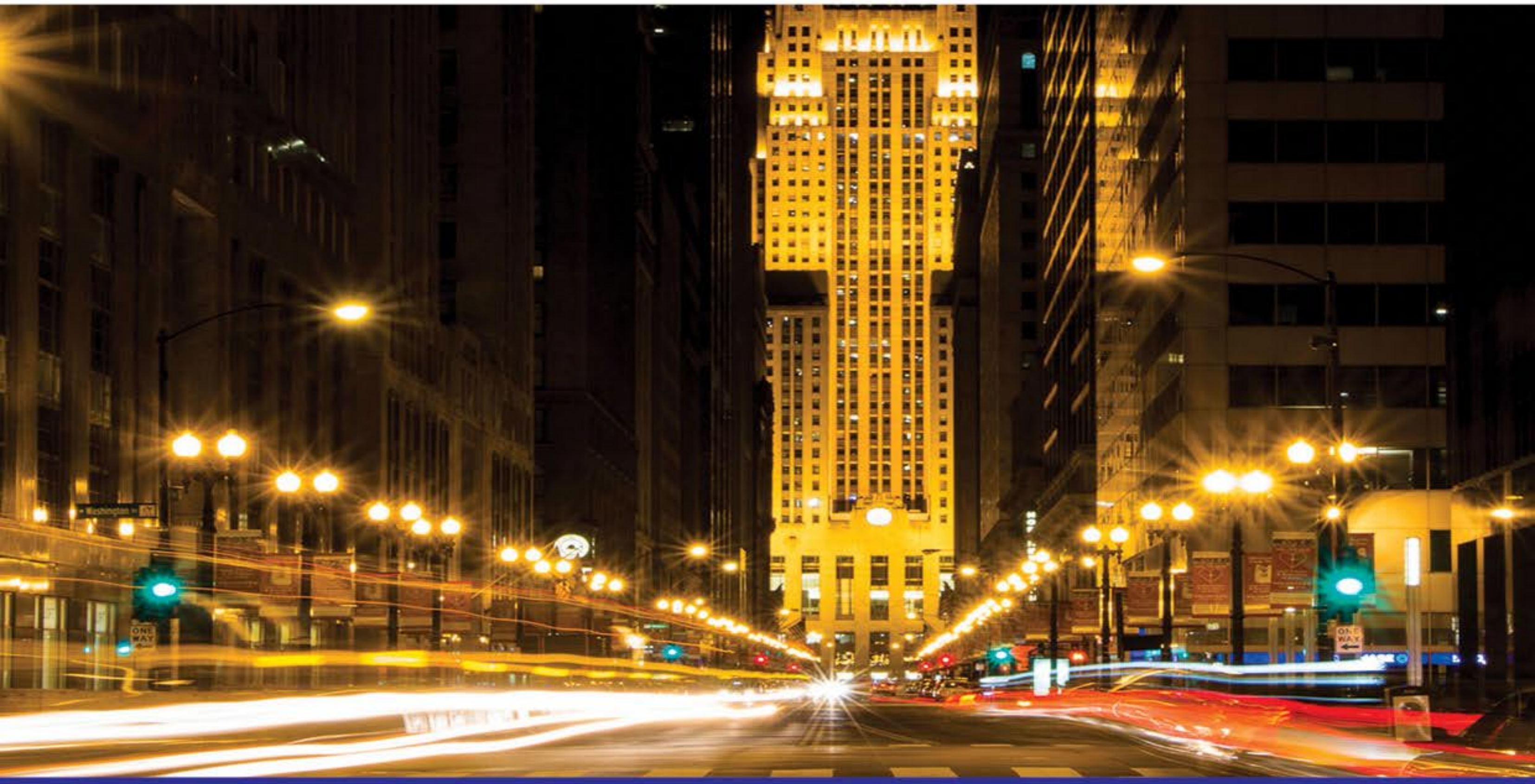
- LED Streetlight use very bright SMD LED.
- Latest model with Slim shape (slim).
- Save electricity up to 80% compared to Halogen spotlight.
- Can operate within 100 - 240V.
- IP 65.
- Suitable for indoor and outdoor, such as Billboard, sign board, parking area, field, hall, gym, etc.



TYPE	WATT	LUMEN	PRODUCT DIMENSION (mm)
S912 BARCELONA	30W	3150	492 x 385 x 142
S913 BARCELONA	60W	6900	630 x 385 x 142
S914 BARCELONA	90W	10350	705 x 385 x 142
S915 BARCELONA	120W	13200	705 x 385 x 142

SPECIFICATIONS	
Lifetime	35'000 Hours
IP	IP65
Lamp Voltage	90-305V / 50-60Hz
CRI*	>70
Beam Angle	147° x 83° type 2 medium°
Power Factor	>0.9
Product Material	AL

- LED Streetlight use very bright SMD LED.
- Latest models with Compact form with integrated LED Driver.
- Can operate within 90 - 305V .
- IP 65.
- Suitable for use street lighting, parking area, field, hall, gym, etc.



**MAN CITY
S501**
E27/220V
Max. 1x45W



**MAN CITY
S501 LED**
25W / 220V
2.700Lm



**BOLOGNA
S503**
70/80/125 W



**BOLOGNA
S503 LED**
2x25W
220V



**VERONA
S504**



150/250/400 W

**LIVERPOOL
S510**



70/80/125 W

**MANCHESTER
S511**



150/250/400 W

**BREMEN
S818**



70/80/125 W

**HAMBURG
S828**



150/250/400 W

**BILBAO
S838**



150/250/400 W

**NORWICH
S868**



150/250/400 W

**OCTAGONAL POLE
HOT DIP GALVANIS**



6 Mtr
7 Mtr
8 Mtr
9 Mtr
11 Mtr
14 Mtr



**EVERTON
F208**



150W

**AC MILAN
F107**



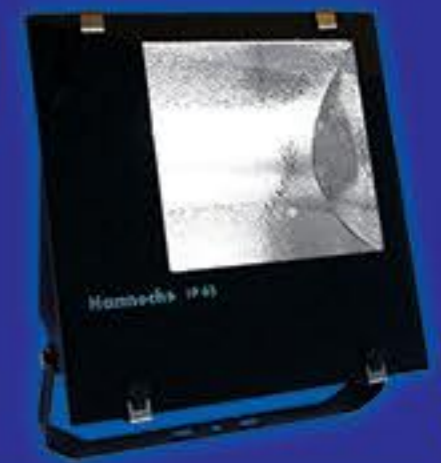
250W
400W

**LAZIO
F320**



250W
400W

**JUVENTUS
F330**



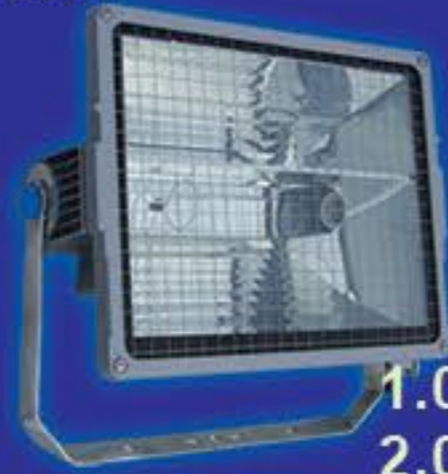
250W
400W

**TOTTENHAM
F021**



1.000W

**MIDDLESBROUGH
F024**



1.000W
2.000W

**CHARLTON
F207**



1.000W
2.000W

**ARSENAL
F407**



1.000W

**RMG
RECESSED METAL LOUVRE**



2x20w
3x20w
4x20w
2x40w
3x40w

**LEICESTER
DUST - TIGHT & JET PROOF LUMINAIRES**



1x20w
2x20w
1x40w
2x40w

UNDERGROUND LIGHT

BRIGHTON



OGL 001 70W

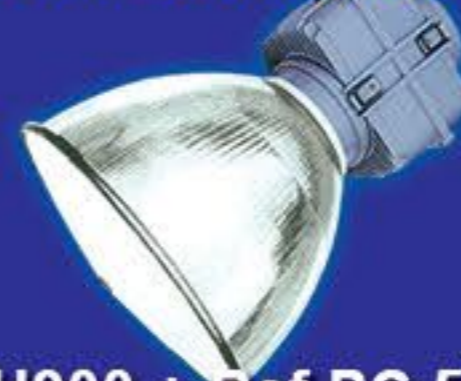
BOSTON



SGL 002 70W

HIGHBAY

BAYERN MUNICH



H900 + Ref PC 570 +
Cover PC 570

SAMPDORIA



H100 + Ref H 007
H100 + Ref H 009



CLEAR COATED

HPM 125W E27 (COATED)
HPM 250W E40 (COATED)
HPM 400W E40 (COATED)
HPM 400W E40 (CLEAR)

HIGH PRESSURE MERCURY

2 TUBES

HPS SUPER 70W E27
HPS / HPS SUPER 100W E40
HPS / HPS SUPER 150W E40
HPS / HPS SUPER 250W E40

HIGH PRESSURE SODIUM

MHTD 70W RX7S
MHTD 150W RX7S

METAL HALIDE

CLEAR COATED

MSB 160W E27 (COATED)
MSB 250W E40 (COATED/CLEAR)
MSB 500W E40 (COATED)
MSB 500W E40 (CLEAR)

BLENDED MERCURY

2 TUBES

HPST SUPER 150W E40
HPST SUPER 250W E40
HPST SUPER 400W E40

HIGH PRESSURE SODIUM TUBULAR

MHTE 70W E27
MHTE 150W E27

METAL HALIDE

MHT 250W MHT 400W COLOUR (BL / VIO)

TUBULAR METAL HALIDE

BHI 10W

FLOURESCENT BALLAST

HPC 10uF
HPC 20uF
HPC 25uF

CAPACITOR

HI 68
HI 78
HI 98

IGNITOR

BHM 125W BHM 250W BHM 400W BHM 1000W
BHS 70W BHS 100W BHS 150W BHS 250W
BHS 400W BHS 1000W

HID BALLAST

COLOR DESCRIPTION

- WHITE LIGHT
- YELLOW LIGHT
- GREEN LIGHT
- BLUE LIGHT
- PURPLE LIGHT